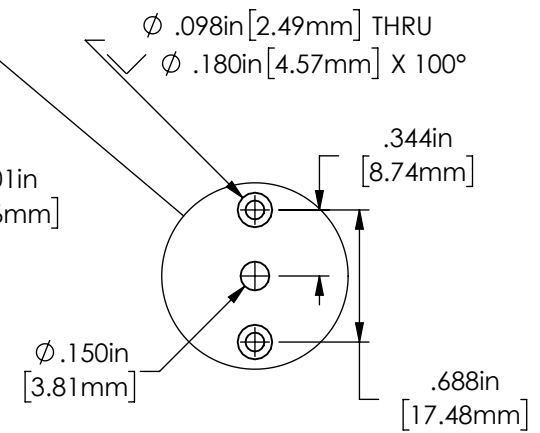
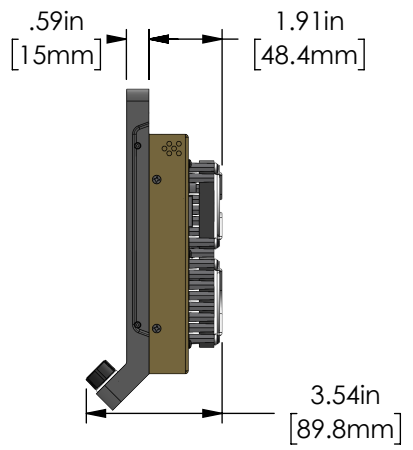
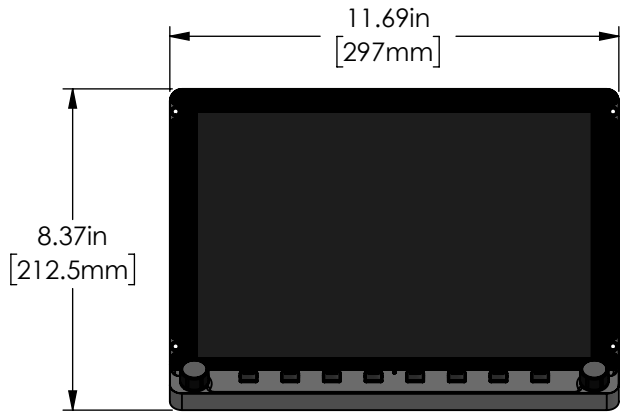


**NOTE:**  
It is the responsibility of the builder to ensure the cut-out features include required margins needed for paint or other finishes applied to the panel. Finishes may reduce the effective size of the cut-out.



4 PLACES  
**HOLE DETAIL FOR MS21047L06 NUTLATE**  
SCALE 1 : 1  
(DO NOT SCALE DRAWING)

**Panel cut-out Detail**  
SCALE 1:2  
(DO NOT SCALE DRAWING)



**SkyView HDX**  
SV-HDX1200  
12 inch EFIS  
Panel Cut-Out



19825 141st PI NE  
Woodinville, WA 98072  
425-402-0433  
www.dynonavionics.com

12/07/2023 REV B