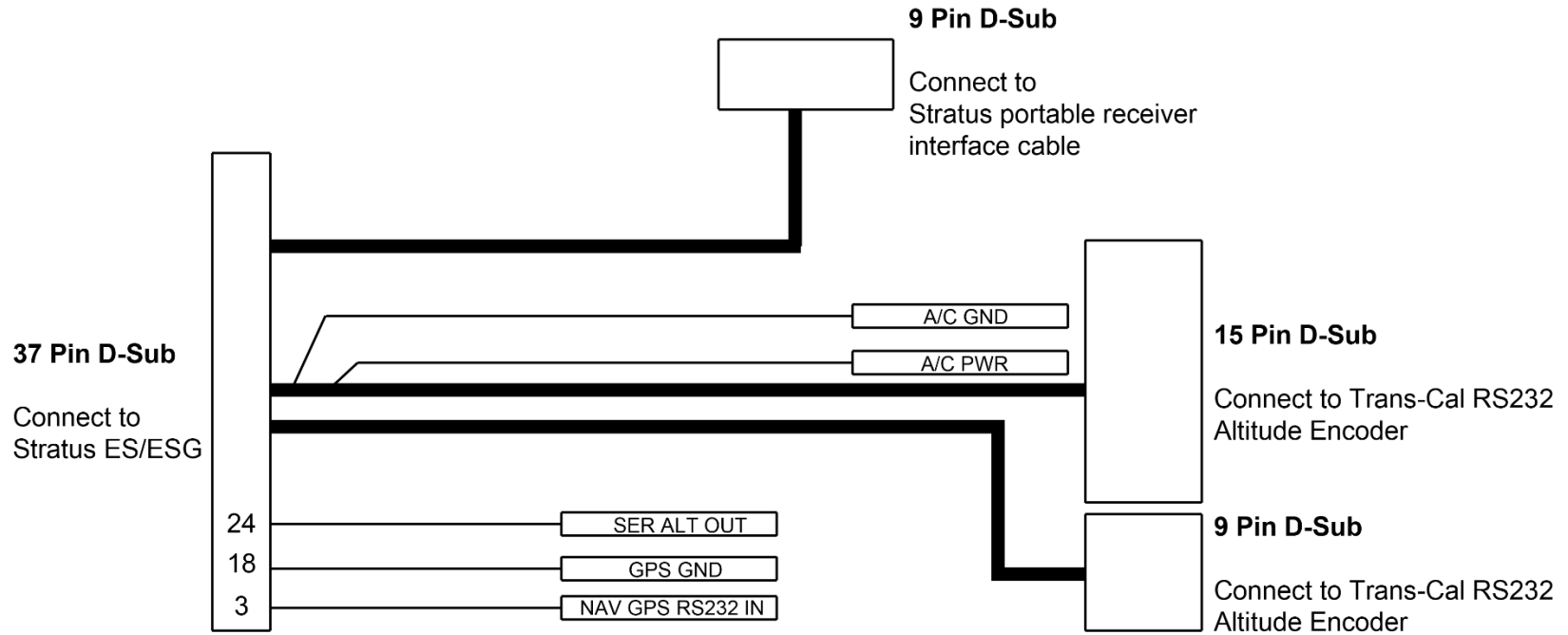


# Universal Stratus Transponder Wiring Harness Diagram



## STRATUS ES/ESG PINS (IF APPLICABLE)

15	○	STRATUS ESG 28V DIMMER
33	○	STRATUS ESG 14V DIMMER
26	○	STRATUS ESG SQUAT SWITCH
25	○	STRATUS ESG EXTERNAL IDENT
7	○	STRATUS ESG EXTERNAL STANDBY
14	○	STRATUS ESG SUPPRESS IN (DME)
32	○	STRATUS ESG SUPPRESS I/O (TRAFFIC SYSTEM)